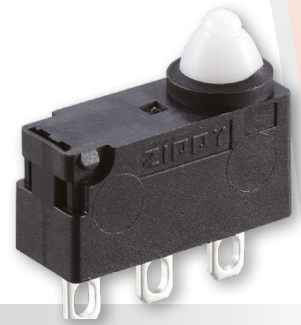


DW2 Series Micro Switches (WATERPROOF)

herga

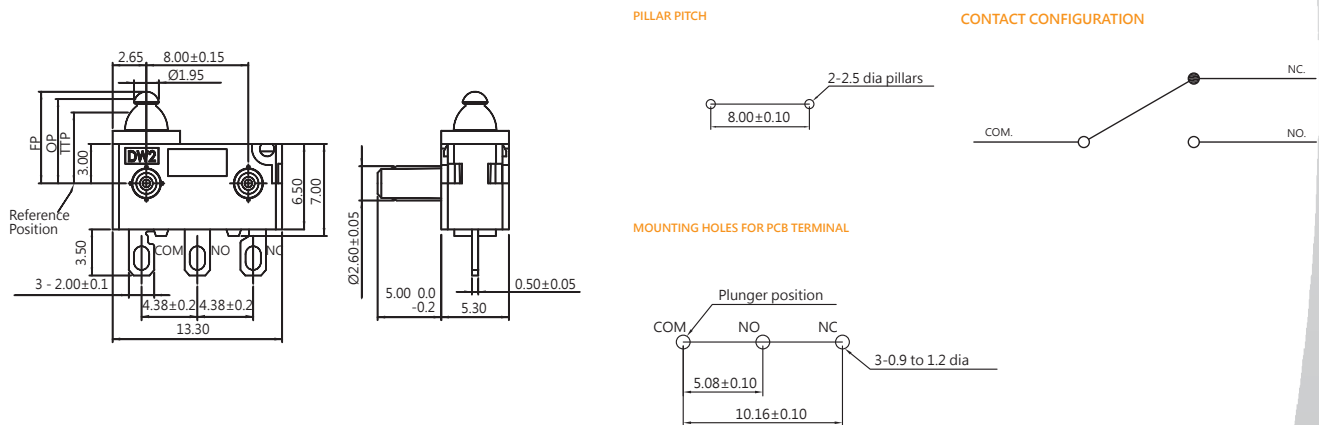
Technology Ltd

- High quality micro switches for a wide range of applications
- Excellent performance, high reliability and long service life
- UL/cUL and ENEC certification
- Applications - Automotive (Seat Belt, Door Latch, Engine Hood, Door Trunk), Air Conditioner, Communication, Security System, Electric Tooth Brush, Toy



Reference dimensions mm

Unless otherwise specified, a tolerance of $\pm 0.4\text{mm}$ applies to all dimensions.



General specifications

Contact resistance (initial)	Max. 100m Ω Measured by ohm meter –Open Voltage<1VDC, Driver current -100mA	Vibration	10–55Hz, displacement 0.75 mm (p-p)
Insulation Resistance (at 500 VDC / minute)	Min. 100 M Ω	Electrical Service Life	0.1A - Min. 100,000 operations 3A - Min. 10,000 operations
Dielectric Strength	Min. 500VAC (50-60HZ)/minute between live parts. Min. 1500VAC (50-60HZ)/minute between live parts and dead metal parts	Electrical Operating Frequency	10–30 operations per minute
Operating Temperature Range	-40°C to +85°C (with no icing)	Mechanical Service Life	Min. 1,000,000 operations
		Mechanical Operating Frequency	120 operations per minute
		Operating application of the switch	Set the switch pushing distance from 60% to 90% of the specified OT value

Certification information

Model Name	UL - cUL	ENEC
DW2-03	0.1RA 3RA 12VDC μ T55 1E5 3RA 24VDC μ T55 5E4 0.1RA 3RA 125/250VAC μ T55 1E4	0.1A 3A 12VDC μ T55 1E5 3A 24VDC μ T55 5E4 0.1A 3A 125/250VAC μ T55 1E4
DW2-G3	0.1RA 3RA 12VDC μ T55 1E5 3RA 24VDC μ T55 5E4 0.1RA 3RA 125/250VAC μ T55 1E4	0.1A 3A 12VDC μ T55 1E5 3A 24VDC μ T55 5E4 0.1A 3A 125/250VAC μ T55 1E4

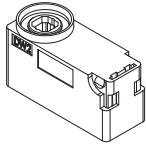
DW2 Series Micro Switches (WATERPROOF)

herga

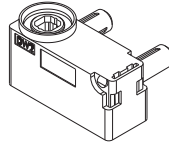
Technology Ltd

Cover types (Pillar and travel types)

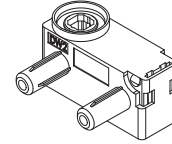
A TYPE



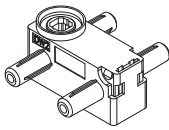
B TYPE



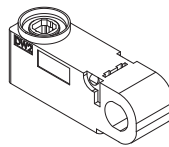
C TYPE



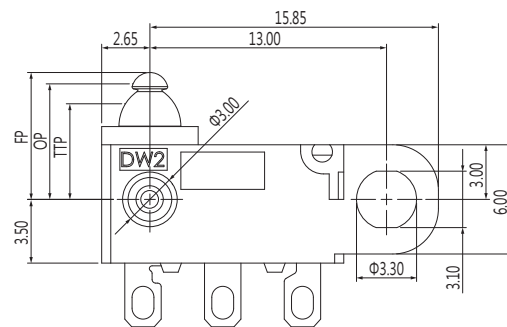
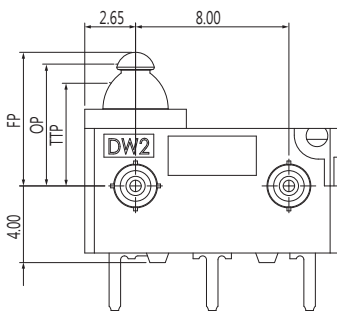
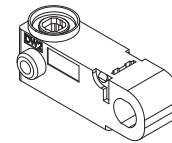
D TYPE



E TYPE



F TYPE



Ordering information

D	W	2	—	0	3	H	—	0	1	A	—	0	—	A	—	A	—	Z
SERIES PREFIX		CODE	RATING CURRENT	CODE	OPERATING FORCE	CODE	ACTUATOR TYPE	CODE	TERMINAL TYPE	CODE	CIRCUIT ARRANGEMENT	CODE	PILLAR TYPE	PILLAR TYPE	ROHS CODE			
G3		3A 125/250VAC (Contact Plated Gold)	S	STANDARD	00		A		0	S.P.D.T	A		A					
03		3A 125/250VAC	H	HEAVY	01		C		1	S.P.S.T.NO	B		B					
					A01		D		2	S.P.S.T.NC	C		C					
							P				D		D					

DIMENSIONS		FOR B TYPE C TYPE D TYPE					
CODE	L1	H	ØA	ØB	ØC	ØD	P
A	5.0	3.0	2.2	2.6	2.2	2.6	8.0
B	2.0	3.0	2.2	2.6	2.2	2.6	8.0
C	4.0	3.0	2.2	2.6	2.2	2.6	8.0
D	0.7	3.0	2.5	N/A	2.5	N/A	8.0

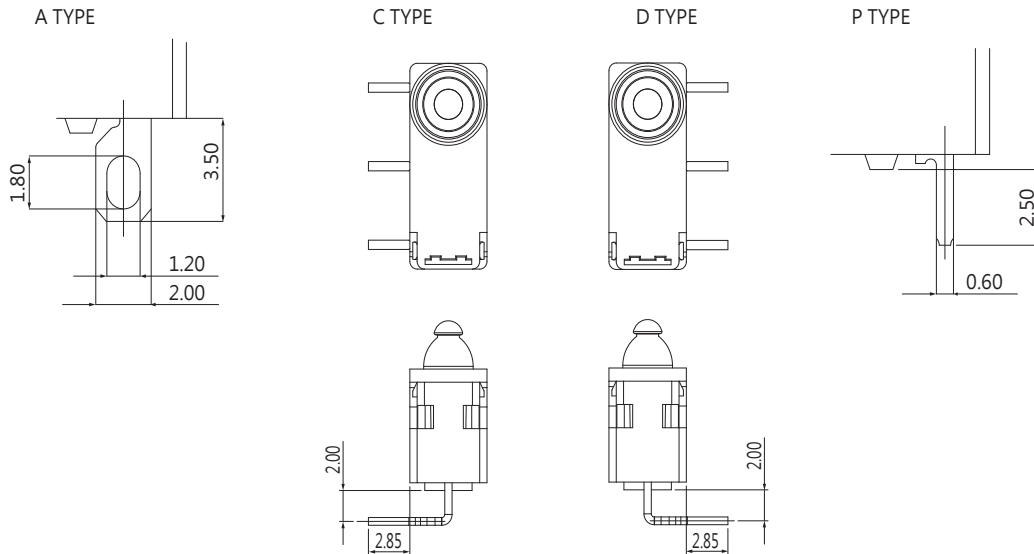
DIMENSIONS		FOR F TYPE				
CODE	L1	H1	H2	ØA	ØB	P
E	1.5	3.0	3.1	3.0	3.3	13.0
F						

DW2 Series Micro Switches (WATERPROOF)

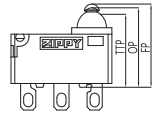
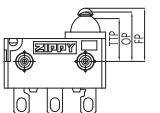
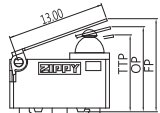
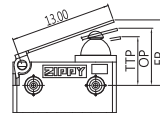
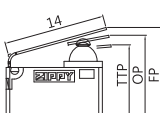
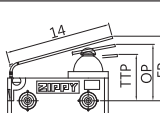
herga

Technology Ltd

Terminal Types (the thickness of each terminal is 0.5 mm)



Operating characteristics

SWITCH TYPE	PART SUFFIX	OF		OP (mm)	TTP Max (mm)	OT Min (mm)	MD Max (mm)	FP Max (mm)	RF Min (gf)
		Max (gf)							
DW2- □□ S-00 □□ -Z		S	95	10.4±0.2	9.1	1.1	0.25	11.2	10
		H	150						20
		S	95	6.4±0.2	5.1				10
		H	150						20
DW2- □□ S-01 □□ -Z		S	95	11.5±0.5	10	1.0	0.5	12.8	7
		H	150						13
		S	95	7.5±0.5	6				7
		H	150						13
DW2- □□ S-A01 □□ -Z		S	183	11.4±0.5	9.8	1.1	0.5	13.3	20
		H	220						38
		S	183	7.4±0.5	5.8				20
		H	220						38